



Factory Service Bulletin

2500 WALDEN AVENUE, BUFFALO, N.Y. 14225 (716) 681-7242
p/a WAALHAVEN Z.Z. 48, 3088 H.J. ROTTERDAM, THE NETHERLANDS

SUBJECT: MEMORYMOOGS (ALL SERIAL NUMBERS) BULLETIN: 843
MONO/TRANSPOSE/HOLD C.V. MODIFICATION

DATE: April 10, 1984

SYMPTOM: The unit may display "ZERO TUNED" for an extended period of time when first powered up, requiring several hours to tune all six voices - typically displaying "C7" numbers in the low 40's or 50's and rising as the unit warms up. Normally, the "C7" numbers start high (in the 90's or A's) and drop down to the high 70's or low 80's.

The pitch of the entire keyboard (all 18 oscillators) may rise, drop or drift in pitch.

The above symptoms are prevalent under high humidity conditions.

CAUSE: Flux contamination on: The CONTOUR/GLIDE board near U10 or on the DMUX board near connectors S57 or S58.

VERIFICATION: Place the unit in any polyphonic preset (MONO button OFF) and insure the HOLD button is OFF. On the COMMON ANALOG board #2, measure the D.C. voltage on the front (keyboard) side of R74 (100K 1%). R74 is the 5th resistor to the right of the red MTA connector P24. The measured voltage must be 0 Volts +/- .02 Volts. If an offset voltage greater than this exists, follow the procedure below:

- SOLUTION:
- 1) On the CONTOUR/GLIDE board #3, remove U10 (4016) and bend Pin 3 out parallel to the body of the IC and reinsert it in the socket.
 - 2) Carefully tin the end of U10 Pin 3 using a grounded soldering iron.
 - 3) On the COMMON ANALOG board #2, tin the front end of R74. Cut the trace on the component side of the board between S23 pin 8 and the J1 jumper wire.
 - 4) Tin both ends of a 15" (380mm) insulated jumper wire.
 - 5) Tack-solder one end of the jumper wire to the front end of R74.
 - 6) Route the wire over the rear end of the COMMON ANALOG board, then run it under the board to the CONTOUR/GLIDE board.
 - 7) On the CONTOUR/GLIDE board, tack-solder the free end of the jumper wire to Pin 3 of U10.

LABOR: This modification should be performed ONLY on an "AS REQUIRED" basis if an offset voltage is found in the VERIFICATION procedure above. It is estimated to take 15 minutes. Moog will reimburse at a FLAT RATE of \$10.00.



Synthesizers



Amplifiers



Sound Modifiers



Accordions



Amplifiers

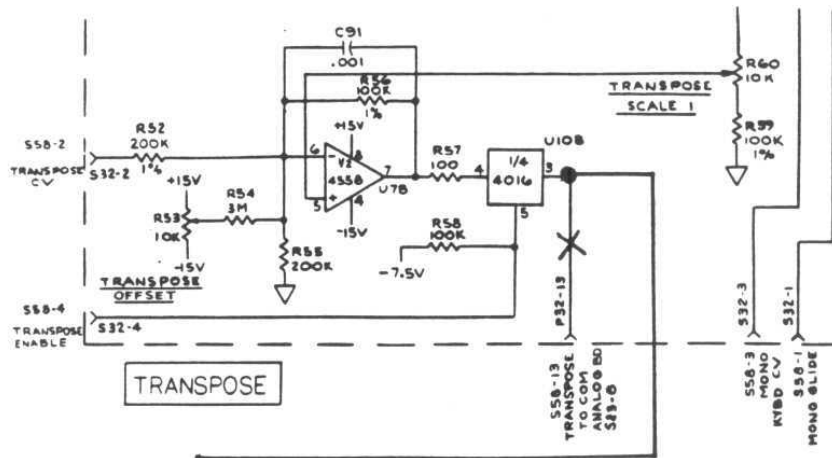


Amplifiers

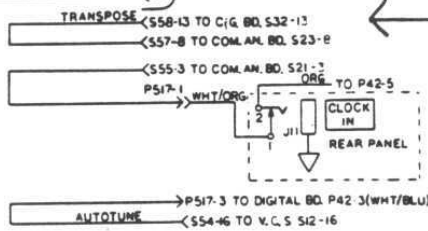
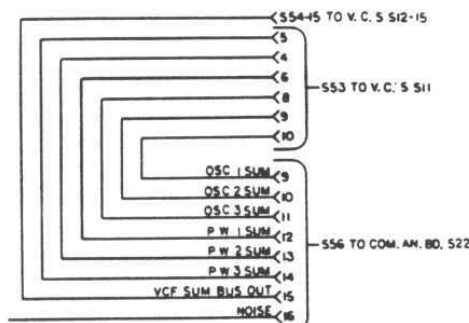
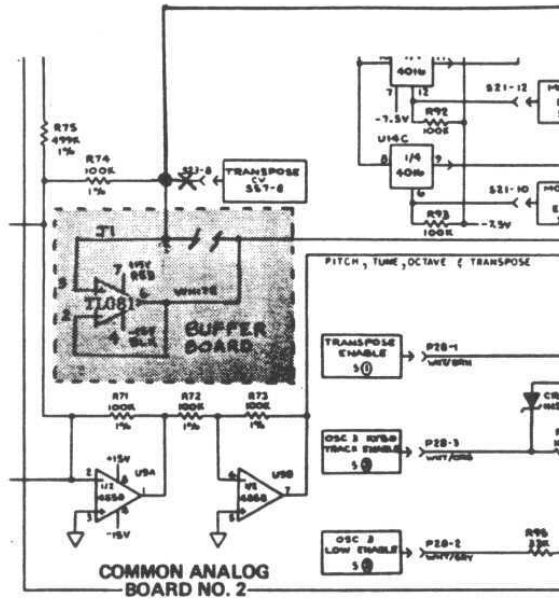


Amps.

CONTOUR GLIDE
BOARD #3



COMMON ANALOG
BOARD #2



DMUX BOARD #5
ROUTING BYPASSED